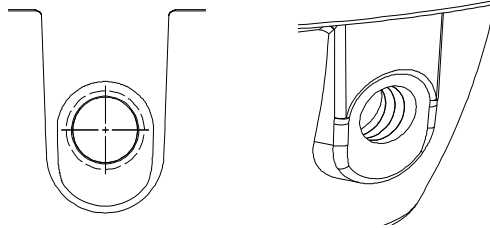




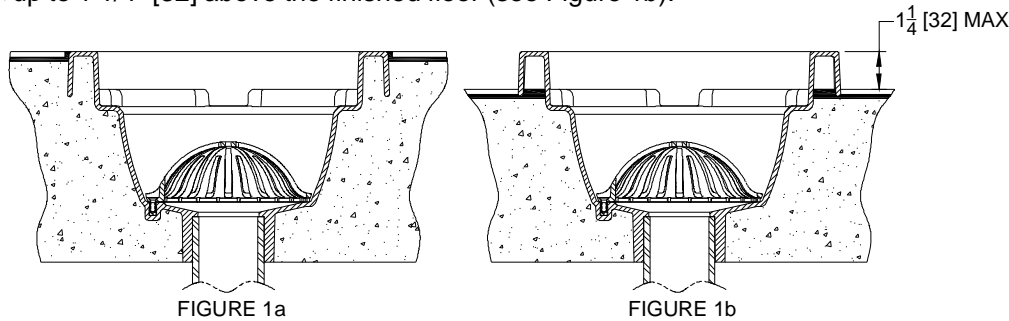
FS8 and FS12

FLOOR SINK INSTALLATION INSTRUCTIONS

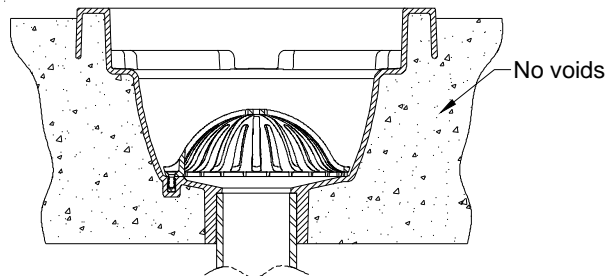
Note: If installing trap primer, drill and tap hole at top of recess on sink body before installation.



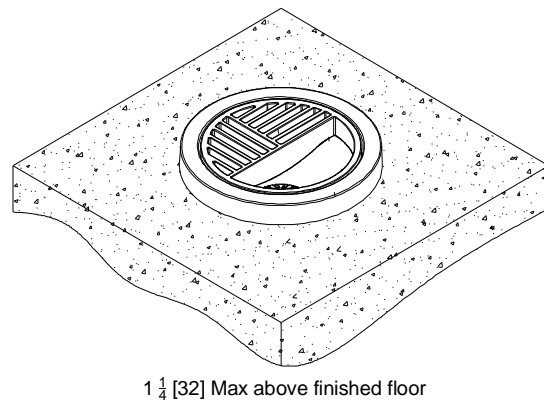
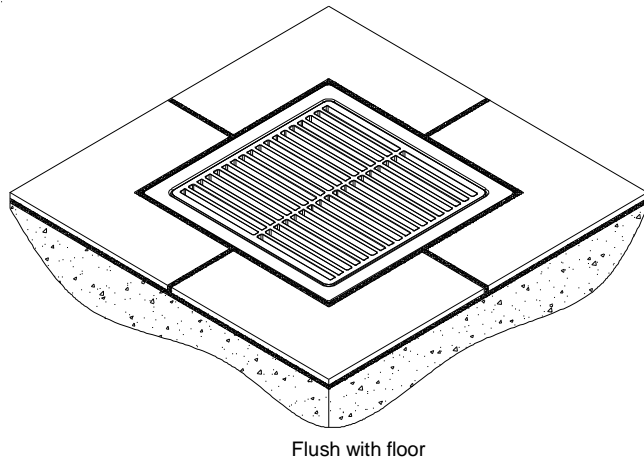
1. Determine height of the floor sink body to the finished floor. Ensure to account for tile thickness. Cut pipe to determined height and solvent weld sink body to pipe. Floor sink body can be flush to finish floor (see Figure 1a) or up to 1 1/4" [32] above the finished floor (see Figure 1b).



2. Pour concrete and vibrate around sink body to ensure all voids are removed.



3. Install finished floor, ensuring sink body is sealed to the floor.



⚠ WARNING: Cancer and Reproductive Harm - www.P65Warnings.ca.gov

⚠ ADVERTENCIA: Cáncer y daño reproductivo - www.P65Warnings.ca.gov

⚠ AVERTISSEMENT: Cancer et effets néfastes sur la reproduction - www.P65Warnings.ca.gov

Zurn Industries, LLC | Specification Drainage Operation
1801 Pittsburgh Avenue, Erie, PA U.S.A. 16502 · Ph. 855-663-9876, Fax 814-454-7929

In Canada | Zurn Industries Limited
7900 Goreway Drive, Unit 10, Brampton, Ontario L6T 5W6, Ph. 877.892.5216

www.zurn.com

Rev. -
Date: 10/8/2019
C.N. No. 142003
Form. No. LC35

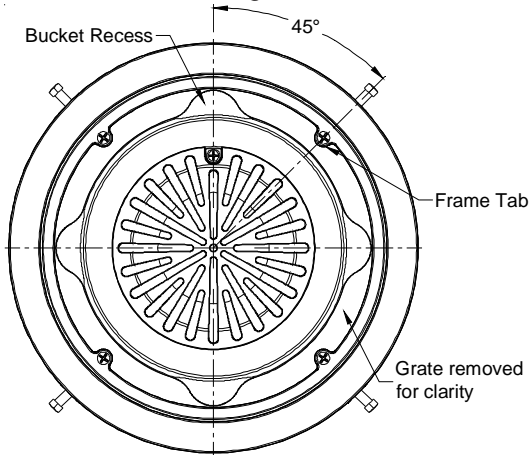


FS8 and FS12

FLOOR SINK VENEER FRAME AND GRATE INSTALLATION INSTRUCTIONS

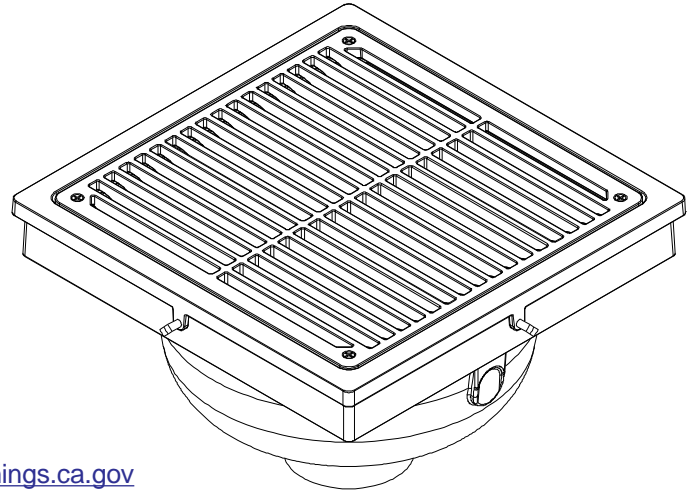
1. Place frame over body.

- For round floor sink, ensure tabs of frame are offset 45 degrees from bucket recess



2. Adjust set screws to center frame over body.

3. Hand tighten, plus 1/2 turn to ensure snug fit.



⚠ WARNING: Cancer and Reproductive Harm - www.P65Warnings.ca.gov

⚠ ADVERTENCIA: Cáncer y daño reproductivo - www.P65Warnings.ca.gov

⚠ AVERTISSEMENT: Cancer et effets néfastes sur la reproduction - www.P65Warnings.ca.gov

Zurn Industries, LLC | Specification Drainage Operation
1801 Pittsburgh Avenue, Erie, PA U.S.A. 16502 · Ph. 855-663-9876, Fax 814-454-7929

In Canada | Zurn Industries Limited
7900 Goreway Drive, Unit 10, Brampton, Ontario L6T 5W6, Ph. 877.892.5216

www.zurn.com

Rev.	-
Date:	10/8/2019
C.N. No.	142003
Form. No.	LC36

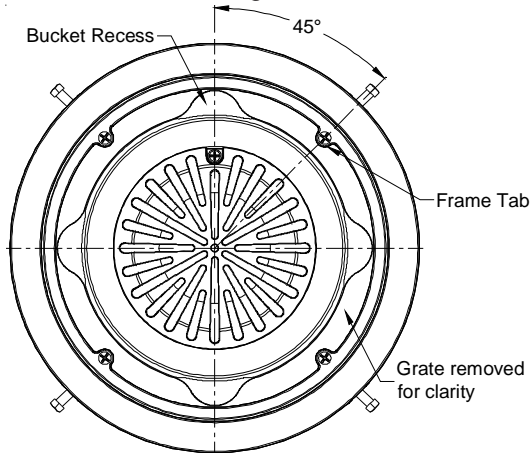


FS8 and FS12

FLOOR SINK VENEER FRAME AND GRATE INSTALLATION INSTRUCTIONS

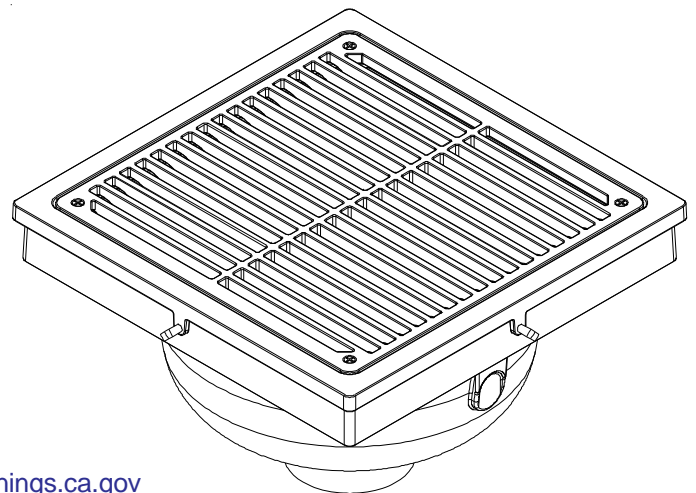
1. Place frame over body.

- For round floor sink, ensure tabs of frame are offset 45 degrees from bucket recess



2. Adjust set screws to center frame over body.

3. Hand tighten, plus 1/2 turn to ensure snug fit.



⚠ WARNING: Cancer and Reproductive Harm - www.P65Warnings.ca.gov

⚠ ADVERTENCIA: Cáncer y daño reproductivo - www.P65Warnings.ca.gov

⚠ AVERTISSEMENT: Cancer et effets néfastes sur la reproduction - www.P65Warnings.ca.gov

Zurn Industries, LLC | Specification Drainage Operation
1801 Pittsburgh Avenue, Erie, PA U.S.A. 16502 · Ph. 855-663-9876, Fax 814-454-7929

In Canada | Zurn Industries Limited
7900 Goreway Drive, Unit 10, Brampton, Ontario L6T 5W6, Ph. 877.892.5216

www.zurn.com

Rev.	-
Date:	10/8/2019
C.N. No.	142003
Form. No.	LC36